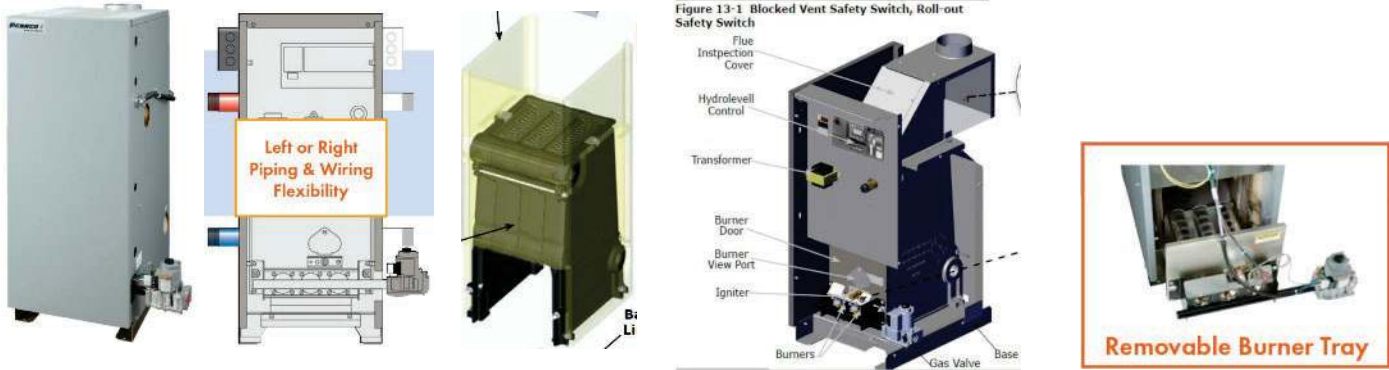


Pennco Boilers

15-B-K Series Hot Water Cast Iron Chimney Vent Boilers



- Proven Cast-Iron Heat Exchanger Design for long life
- Cast Iron Dry Leg end sections for longer life and base stability
- 84% AFUE Efficiency
- Energy saving electronic ignition and motorized stack damper
- Internal operating control with digital display and diagnostics
- Flexibility left or right side piping and electrical connections
- Easy to service removable burner tray for easy and quick cleaning
- 20 Year Heat Exchanger Limited Warranty , 1 year parts limited warranty

Pennco: 15B-K Series Gas Fired Chimney Vent Cast Iron Hot Water Boilers											8/1/2022
15B-K	Input	Output	IBR Net	BB 600	Sq. Ft.	Flue	Jacket Dim	Weight	Water	AFUE	
Model: PENN	Btu/hr	Btu	Output	Btu/ft.	Radiation	Size	H/W/D	lbs.	Con.-Gals.	Eff	
Stock Boilers											
15B-060K	59,000	50,000	43,000	72	287	4	32x14x24	215	1.9	84.0%	
15B-095K	92,500	78,000	68,000	113	453	5	32x14x24	250	2.3	84.0%	
15B-120K	120,000	101,000	88,000	147	587	6	32x16x24	295	2.8	84.0%	
15B-150K	149,000	125,000	109,000	182	727	6	32x19x24	335	3.2	84.0%	
550003778	Natural Gas to LP Gas conversion kit										
Non-Stock, these may be available at ECR in Utica, NY Call for more information											
15B-175K	175,000	147,000	128,000	213	853	7	32x22x24	385	3.7	84.0%	
15B-205K	205,000	172,000	150,000	250	1,000	7	32x28x24	420	4.4	84.0%	
15B-235K	235,000	197,000	171,000	285	1,140	7	32x28x24	465	4.6	84.0%	

PENNCO Boilers Manufactured by **ECR international**

Dunkirk Boilers: Also available special order, call for details

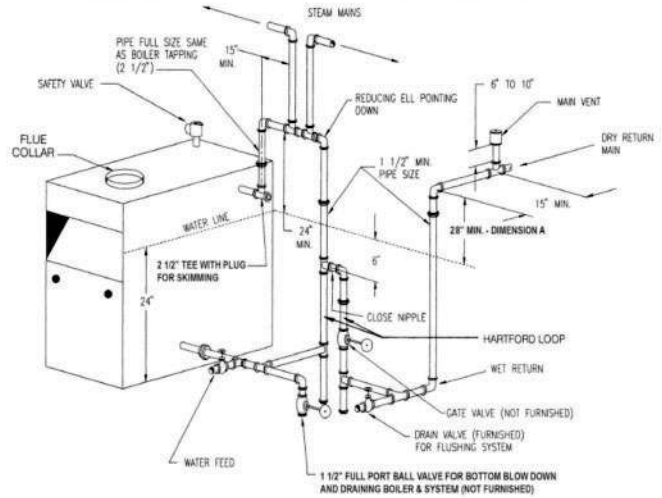
ECR International Brands



16 Series Steam Cast Iron Chimney Vent Boilers



Figure 3 - Recommended Near Boiler Piping Using One Supply Tapping [3 & 4 Section Size



IBC Boilers

- Proven Cast-Iron Heat Exchanger Design for long life
- AFUE Efficiency up to 82.7%
- Integral Draft Hood and Vent Damper for a low profile
- Internal operating control with digital display and diagnostics
- CycleGard - CG400 low water cutoff with an intermittent level test for additional boiler protection for true water level monitoring
- Easy to service removable burner tubes easy and quick cleaning
- 10 Year Heat Exchanger Limited Warranty , 1 year parts limited warranty

Pennco Steam Boilers Electronic Ignition DOE2012 with Automatic Stack Dampers									
PENN-	Input Btu/hr (MBH)	Output Btu/hr MBH	IBR Net Outpu MBH	EDR Sq. Ft Steam	Flue Size	Dim. H/W/D	AFUE	Ship Wt. lbs.	
Stock Boilers									
1604HSID	112	91	68	283	6	37-15-27	82.0%	368	
1605HSID	150	122	92	383	6	37-18-27	82.0%	440	
Non-Stock Plus freight									
1603HSID	75	62	47	196	5	37-12-27	82.7%	297	
1606HSID	187	153	115	479	7	37-21-27	82.0%	512	
1607HSID	225	183	137	571	7	37-24-37	82.0%	584	
1608HSID	262	214	161	671	7	37-28-37	82.0%	659	
1609HSID	299	245	184	767	7	37-31-37	82.0%	736	
Call	Natural to LP Gas Conversoin Kit separe part # each boiler part # 4330072(3-9)								